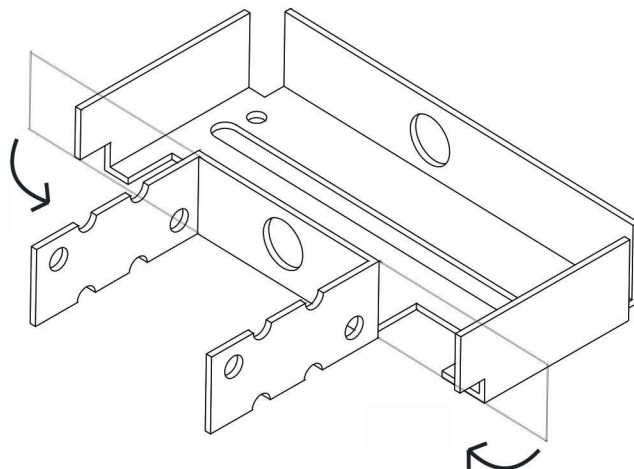


TECHNICAL DATA SHEET

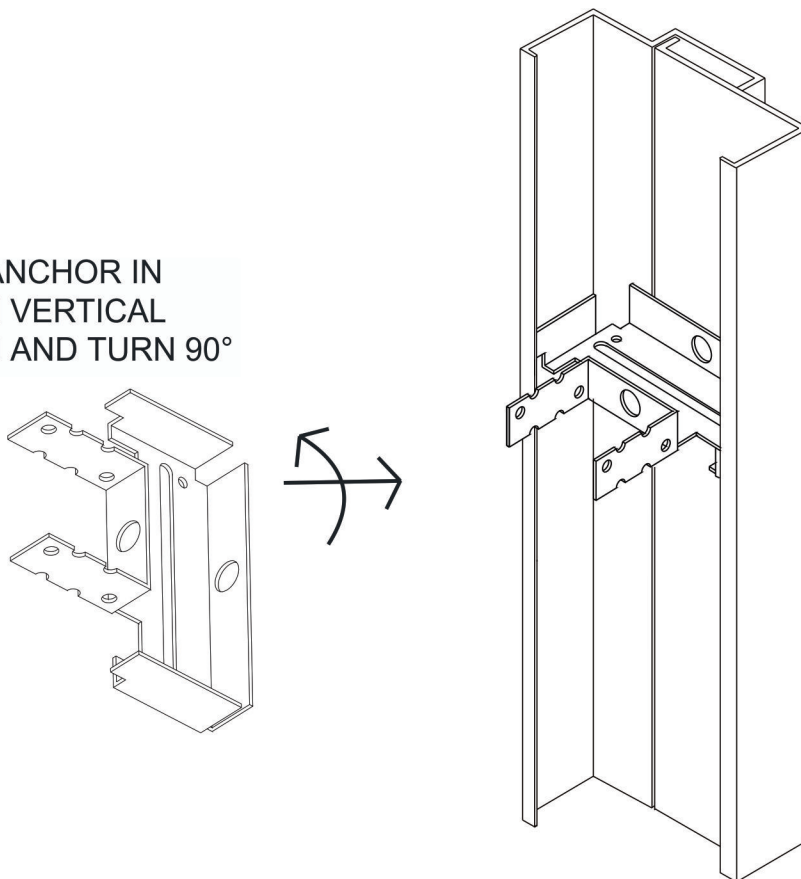
**F - 900 - 005
STEEL STUD
ANCHOR**

FORM STRAPS TO FIT STUD



STEEL STUD ANCHOR 16 GA REINFORCEMENT
CAN BE USE INSTED THE MULTI-PUPOSE ANCHOR.

INSERT ANCHOR IN
FRAME IN VERTICAL
POSITION AND TURN 90°



Issue Date: July 2009

REVISED : 04/03/2014